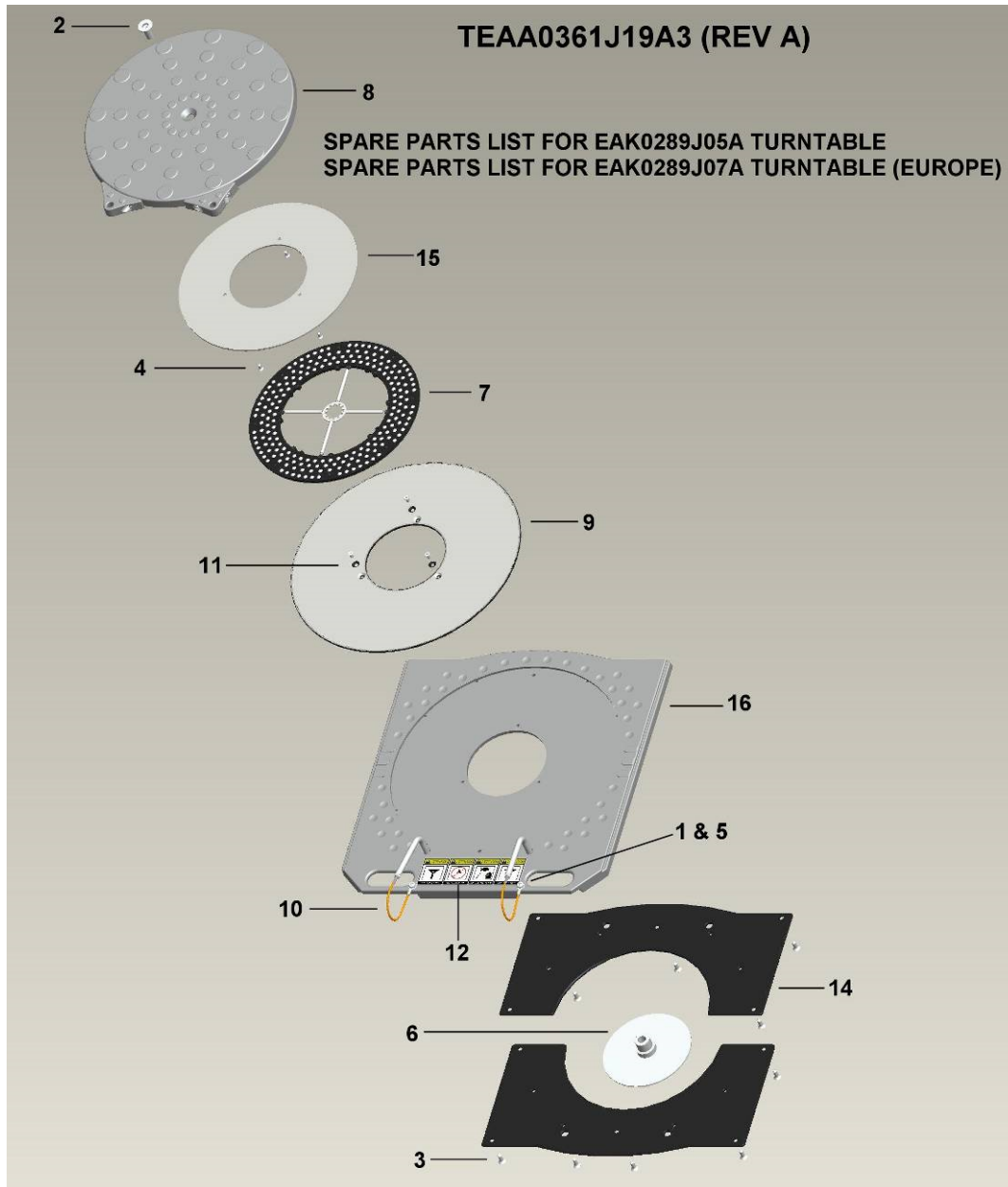


TEAA0361J19A3 (REV A)

**SPARE PARTS LIST FOR EAK0289J05A TURNTABLE
SPARE PARTS LIST FOR EAK0289J07A TURNTABLE (EUROPE)**



16	1	EAM0073J38A	BASE - TT, MACH
15	1	EAM0047J57A	TOP WEAR PLATE
14	2	EAM0047J52A	PAD - TT
13	1	EAL0392J92A	LABEL-PATENT TURN TABLE
12	1	EAL0392J20A	LABEL - TT
11	3	EAC0105J18A	SEPARATOR - SCREW, TT
10	2	EAA0361J21A	LANYARD ASM. - TT
9	1	EAA0361J20A	PLATE ASM. - BOTTOM, TT
8	1	EAA0333J74A	TOP PLATE ASM, TT
7	1	EAA0333J59A	BALL PLATE ASM.
6	1	EAA0333J49A	WELDMENT- PLATE/COLUMN
5	2	I-33906A	SCREW, M6 X 10mm , PAN HD
4	6	I-26603A	SCREW-FHMS M5 x .8, 10mm
3	10	I-24203A	SCREW - M6 X 16mm FHMS, PHIL
2	1	I-23903A	SCREW - FHSC, M14 X 30mm
1	2	I-01843A	WASHER - SHOULDER
SYM	REQD	PART NO	DESCRIPTION